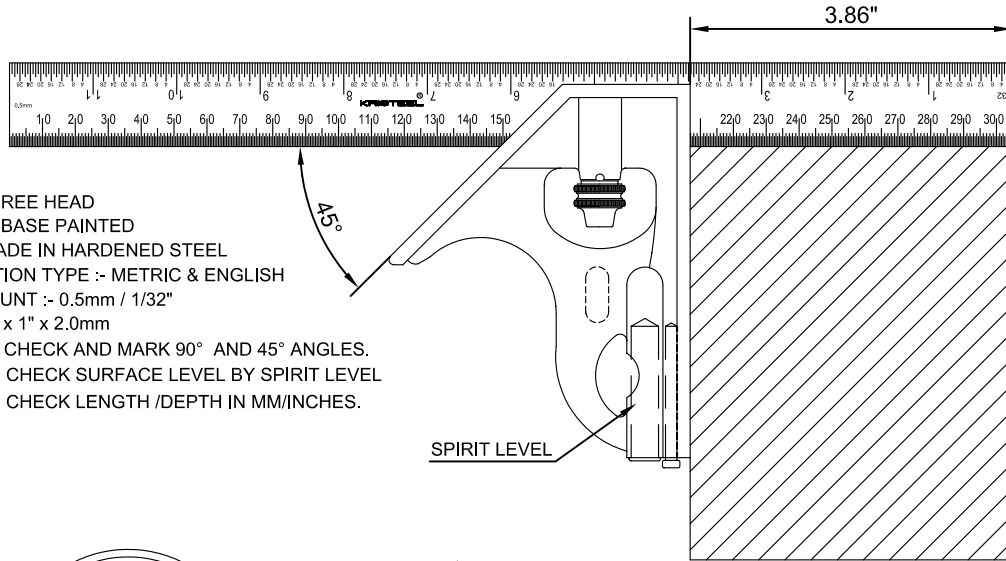


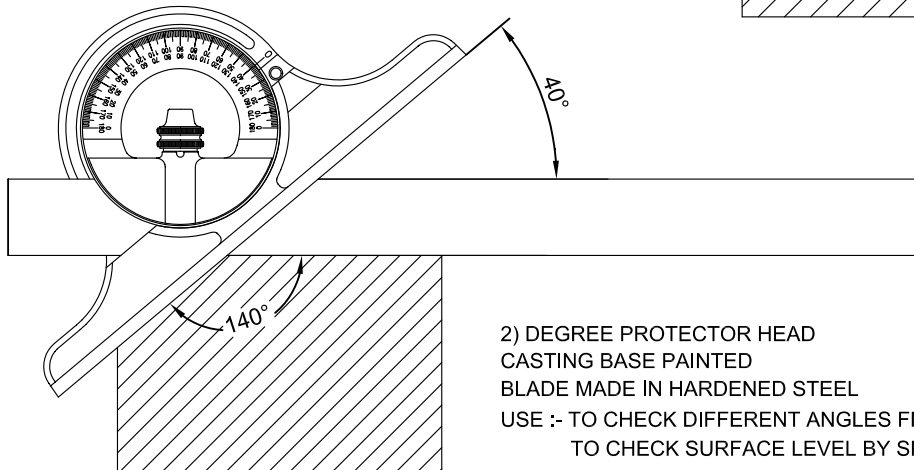
4 Pc. COMBINATION SET

KRISTEEL® - Shinwa

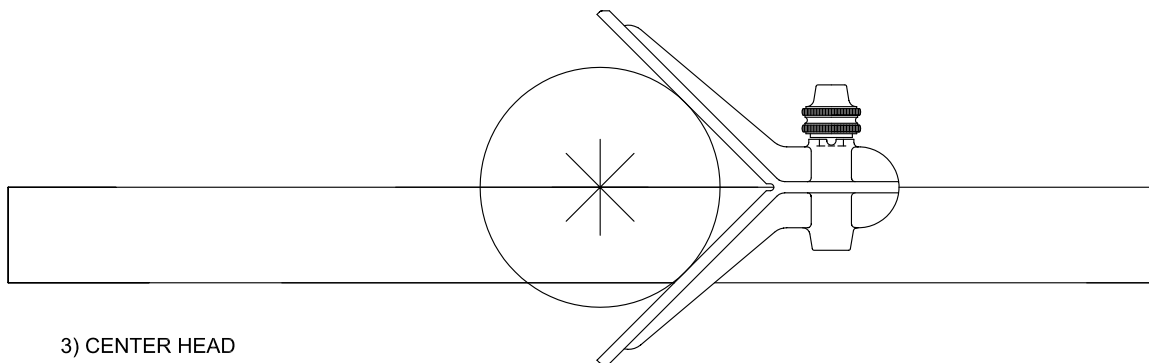


1) 90 DEGREE HEAD
CASTING BASE PAINTED
BLADE MADE IN HARDENED STEEL
GRADUATION TYPE :- METRIC & ENGLISH
LEASTCOUNT :- 0.5mm / 1/32"
SIZE:- 12" x 1" x 2.0mm
USE :- TO CHECK AND MARK 90° AND 45° ANGLES.
TO CHECK SURFACE LEVEL BY SPIRIT LEVEL
TO CHECK LENGTH /DEPTH IN MM/INCHES.

SPIRIT LEVEL



2) DEGREE PROTECTOR HEAD
CASTING BASE PAINTED
BLADE MADE IN HARDENED STEEL
USE :- TO CHECK DIFFERENT ANGLES FROM 0° TO 180°
TO CHECK SURFACE LEVEL BY SPIRIT LEVEL



3) CENTER HEAD
CASTING BASE PAINTED
BLADE MADE IN HARDENED STEEL
USE :- FINDING AND MARKING CENTER POINT OF ROUND DISCS AND SHAFTS
RANGE:- UPTO 100 MM DIAMETER

FULL SET OF 4 Pc.COMBINATION SET PACKED IN PLASTIC BOX / PAPER BOX